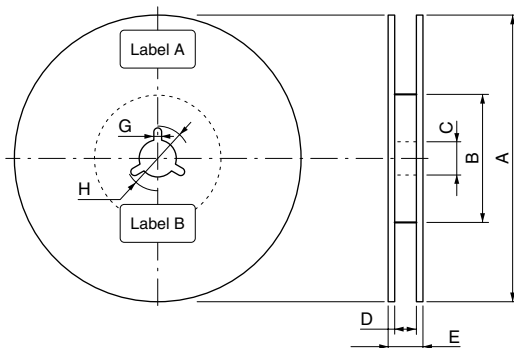


# Packaging for Surface Mount Devices

## ●Reel Dimensions

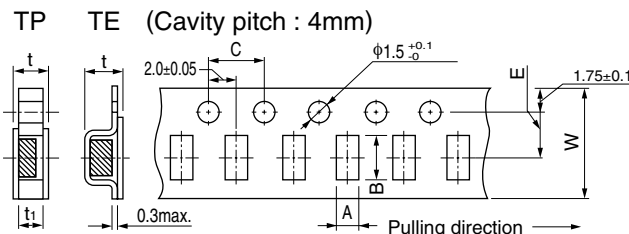
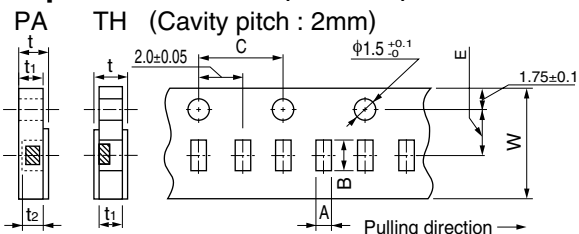


Unit : mm

Code		A	B	C	D	E	G	H
Plastic Reel (EIAJ ET-7200B)	PA,TH,TP,TE (8 mm width)	$\phi 180 \begin{smallmatrix} 0 \\ -1.5 \end{smallmatrix}$	$\phi 60 \begin{smallmatrix} +1 \\ 0 \end{smallmatrix}$	$\phi 13 \pm 0.2$	$9 \begin{smallmatrix} +1.0 \\ 0 \end{smallmatrix}$	$11.4 \pm 1.0$ $13.0 \pm 1.0$	$2 \pm 0.5$	$\phi 21 \pm 0.8$
	Shoot molding							

\*Dimension A : Please contact KAMAYA for plastic reels of  $\phi 250\text{mm}$  and  $\phi 330\text{mm}$ .

## ●Tape Dimensions (Unit : mm)

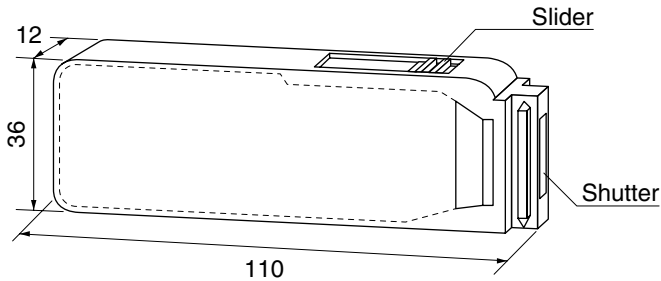


\*Please contact Kamaya sales department for 1mm pitch cavity taping.

Metric	Inch	Style	Code	A	B	C	W	E	t <sub>1</sub>	t <sub>2</sub>	t
0402	01005	RMC1/32	PA	$0.24 \pm 0.03$	$0.45 \pm 0.03$	$4.0 \pm 0.05$	8.0 ± 0.2	3.5 ± 0.05	$0.31 \pm 0.03$	$0.15 \pm 0.02$	$0.36 \pm 0.03$
0603	0201	RMC1/20, RGC1/20		$0.37 \pm 0.05$	$0.67 \pm 0.05$	$4.0 \pm 0.05$			$0.42 \pm 0.03$	$0.27 \pm 0.02$	$0.45 \pm 0.05$
		FCC10, FHC10, FCCR10		$0.65 \pm 0.10$	$1.15 \pm 0.10$	$4.0 \pm 0.05$			$0.6 \pm 0.05$	$0.5 \pm 0.05$	$0.7 \text{ max.}$
1005	0402	RMC1/16S, RGC1/16S, RLC10, RCC10, FCC10(LB), SPC10	TH	$0.65 \begin{smallmatrix} +0.05 \\ -0.10 \end{smallmatrix}$	$1.15 \begin{smallmatrix} +0.05 \\ -0.10 \end{smallmatrix}$	$4.0 \pm 0.1$	8.0 ± 0.2	3.5 ± 0.05	$0.4 \pm 0.05$	—	$0.5 \text{ max.}$
		RMC1/16		$1.15 \pm 0.15$	$1.9 \pm 0.2$				$0.6 \pm 0.1$	—	$0.8 \text{ max.}$
1608	0603	RMC1/16, RGC1/16, FCR1/16, RVC16, RLC16, RHC16, RCC16, RLP16, FCC16, FHC16, FMC16, FRC16	TP	$1.15 \pm 0.15$	$1.9 \pm 0.2$	$4.0 \pm 0.1$	8.0 ± 0.2	3.5 ± 0.05	$0.6 \pm 0.1$	—	$0.8 \text{ max.}$
2012	0805	RMC1/10, RGC1/10, FCR1/10, RNC20, RVC20, RPC20, RLC20, RHC20, LTC1/10, FCC20, FHC20, FRC20, RCC20		$1.65 \pm 0.15$	$2.5 \pm 0.2$				$0.8 \pm 0.1$	—	$1.0 \text{ max.}$
3216	1206	RMC1/8, RGC1/8, FCR1/8, RNC32, RVC32, RPC32, RLC32, LTC1/8, FCC32, FHC32, SBF32, FRC32, RLP32	TE	$2.0 \pm 0.15$	$3.6 \pm 0.2$	$4.0 \pm 0.1$	8.0 ± 0.3	5.5 ± 0.05	$0.6 \pm 0.1$	—	$1.0 \pm 0.2$
3225	1210	RMC1/4, FCR1/4, RPC35, RLC35		$2.85 \pm 0.20$	$3.5 \pm 0.2$				—	—	$1.0 \pm 0.2$
5025	2010	RMC1/2, FCR1/2, RVC50, RPC50, RZC50, RLC50, RLS50		$3.1 \pm 0.2$	$5.5 \pm 0.2$				$12 \pm 0.3$	$1.1 \pm 0.15$	
6332	2512	RMC1, FCR1, RVC63, RPC63, RZC63, RLC63, RLS63, RLP63, MLP63	TH	$1.15 \begin{smallmatrix} +0.05 \\ -0.10 \end{smallmatrix}$	$1.15 \begin{smallmatrix} +0.05 \\ -0.10 \end{smallmatrix}$	$4.0 \pm 0.1$	8.0 ± 0.2	3.5 ± 0.05	$0.4 \begin{smallmatrix} +0.05 \\ -0.10 \end{smallmatrix}$	—	$0.5 \text{ max.}$
		RAC102D, RAC101A, RAC104D		$1.2 \pm 0.1$	$2.2 \pm 0.1$				$0.4 \pm 0.1$	—	$0.5 \text{ max.}$
		RAC164D, RAC168U, RAC168D	TP	$1.9 \pm 0.15$	$3.6 \pm 0.2$	$4.0 \pm 0.1$	8.0 ± 0.3	3.5 ± 0.05	$0.6 \pm 0.1$	—	$0.8 \text{ max.}$
				$1.9 \pm 0.15$	$4.1 \pm 0.15$				$0.6 \pm 0.1$	—	$0.8 \text{ max.}$

PACKAGING FOR SURFACE MOUNT DEVICES

●Bulk Case (Code : BA) (Unit : mm)



●Standard Packaging Quantities

Size		Bulk case (pcs./case)
Metric	Inch	
1608	0603	25,000
2012	0805	10,000
3216	1206	5,000

●Standard Packaging Quantities (Minimum Units)

Metric	Inch	Style	Code	Tape & Reel			Bulk Q' ty (pcs.)	
				M. P. Q. (pcs./reel)	Outer Carton			
				Reel Q' ty (pcs.)	Gross Weight (kg)	Measurement (m <sup>3</sup> )		
0402	01005	RMC1/32	PA	20,000	50	8.5	1,000 1	
0603	0201	RMC1/20, RGC1/20		15,000		8.0		
1005	0402	FCC10, FHC10, FCCR10	10,000	7.8				
		RMC1/16S, RGC1/16S, RLC10, RCC10, SPC10		6.5				
1608	0603	RMC1/16	TH	5,000	8.3	0.027		
		RMC1/16, RGC1/16, FCR1/16 RVC16 RLC16, RHC16, RCC16, RLP16 FCC16, FHC16, FMC16, FRC16			7.8			
		RMC1/10, RGC1/10, FCR1/10 RNC20, RVC20, RPC20 RLC20, RHC20 LTC1/10 FCC20, FHC20, FRC20, RCC20			8.6			
2012	0805	RMC1/8, RGC1/8, FCR1/8 RNC32, RVC32, RPC32 RLC32, RLP32 LTC1/8 FCC32, FHC32, SBF32, FRC32	TP	5,000	9.6	0.027		
3216	1206	RMC1/4, FCR1/4 RPC35, RLC35	TE	4,000	50	8.2		0.02
5025	2010	RMC1/2, FCR1/2 RVC50, RPC50, RZC50 RLC50, RLS50		4,000	40	6.4		0.027
6332	2512	RMC1, FCR1 RVC63, RPC63, RZC63, RLC63, RLS63		4,000	40	8.3		
		RLP63, MLP63	12.0					
Chip Networks Chip Attenuators		RAC102D RAC101A	TH	10,000	50	6.6	5,000	
		RAC104D	TP	5,000		8.3		
		RAC164D RAC168U				8.5		
		RAC168D				8.6		

Please contact Kamaya Sales department about bulk package of RLP16, RLP32, RLP63, MLP63 .